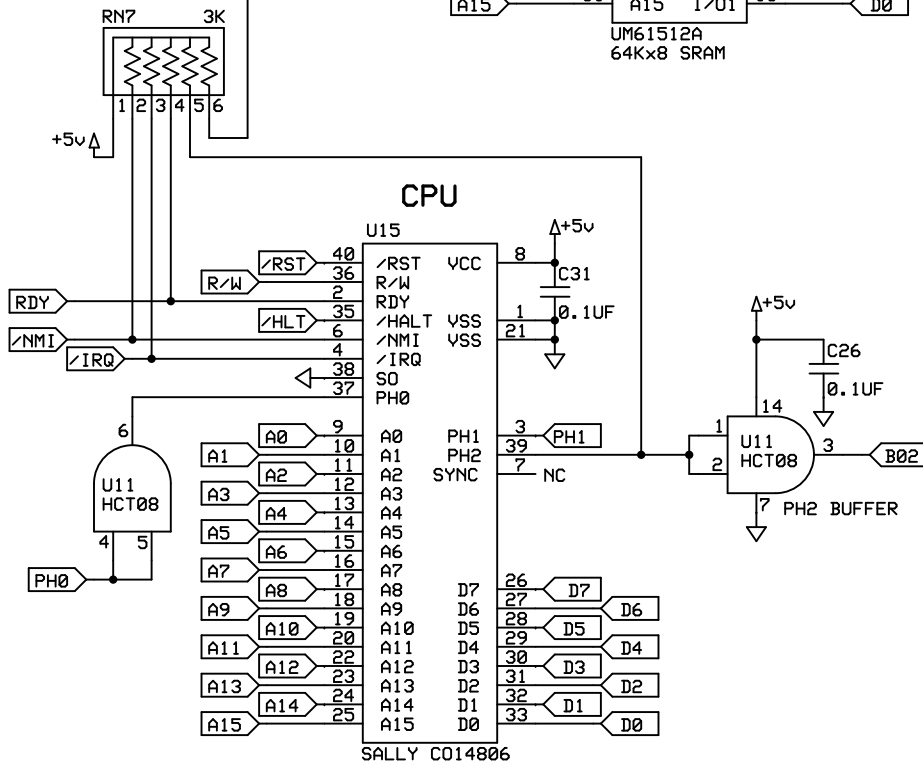
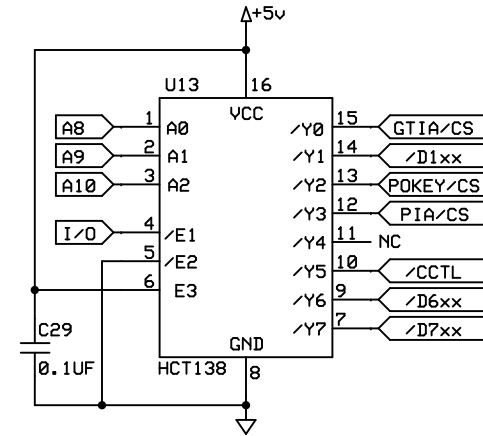
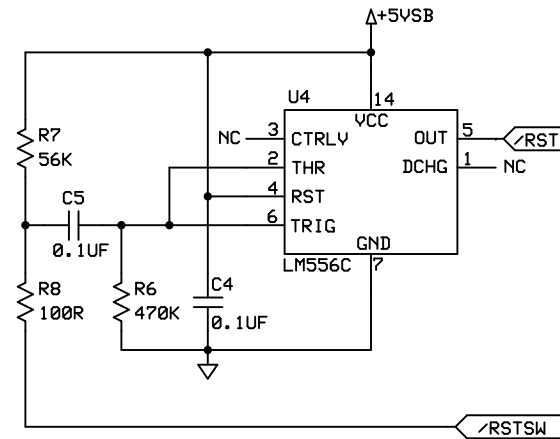


### CHIP SELECT DECODING



### RESET CKT



Mytek Controls

1088 XEL Mini-ITX MOTHERBOARD

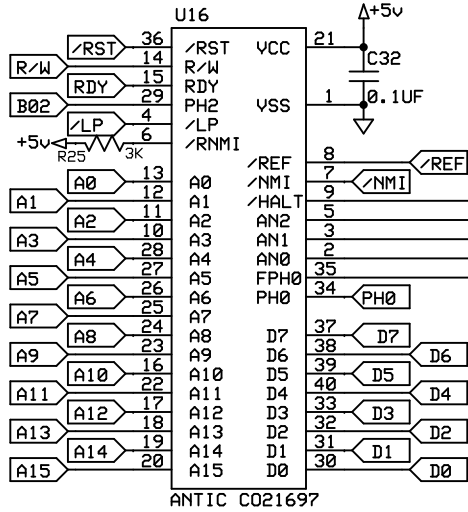
Michael St.Pierre

Rev 1.0

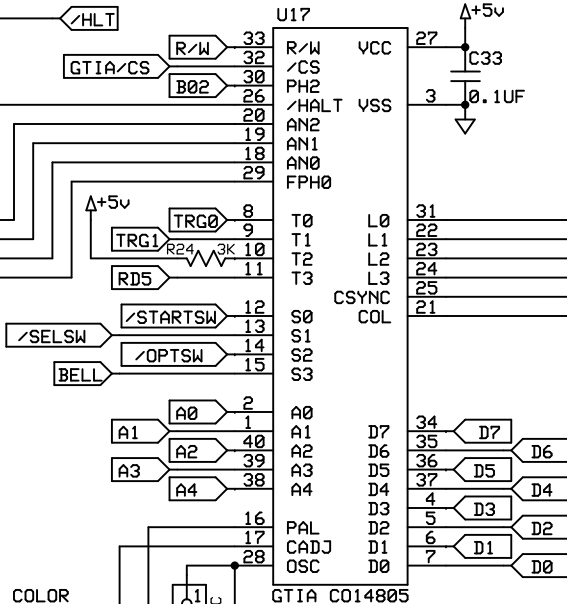
3/21/2017

CPU/MEMORY

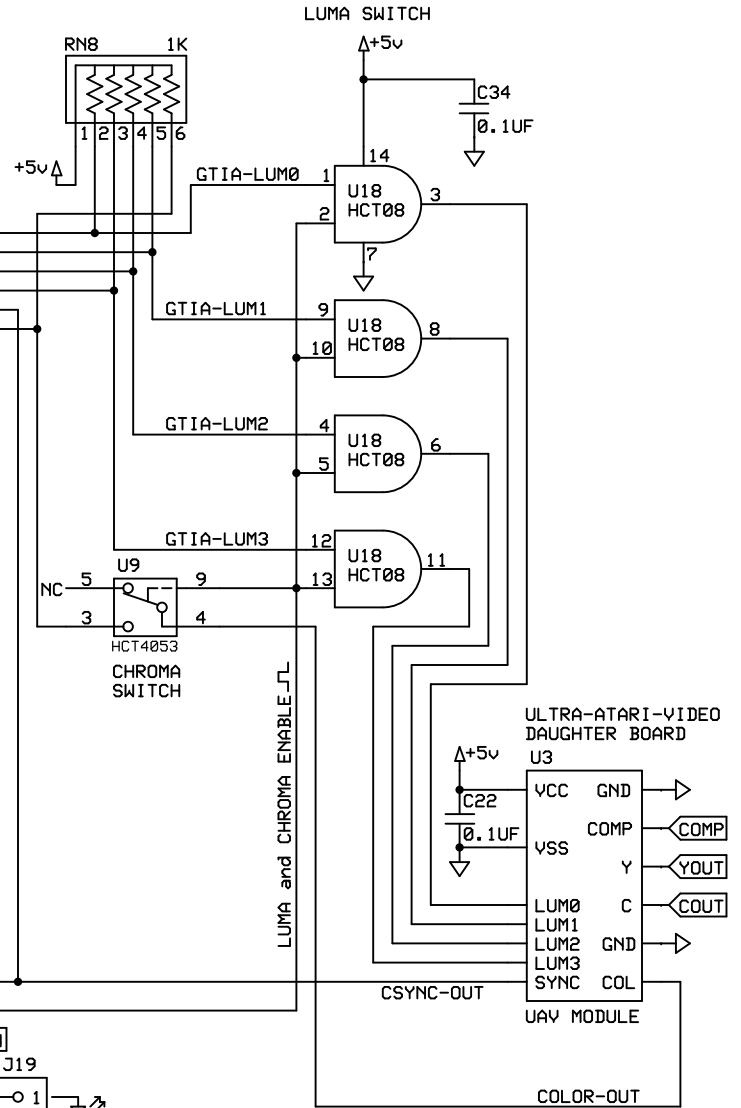
**VIDEO CO-PROCESSOR**



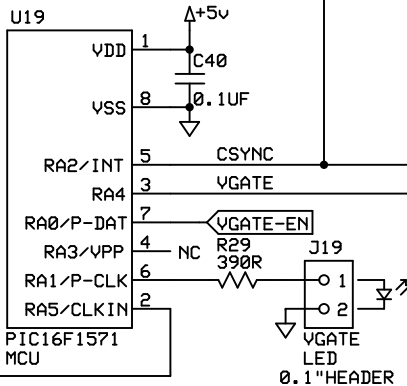
**COLOR TV INTERFACE**



**VIDEO GATING**



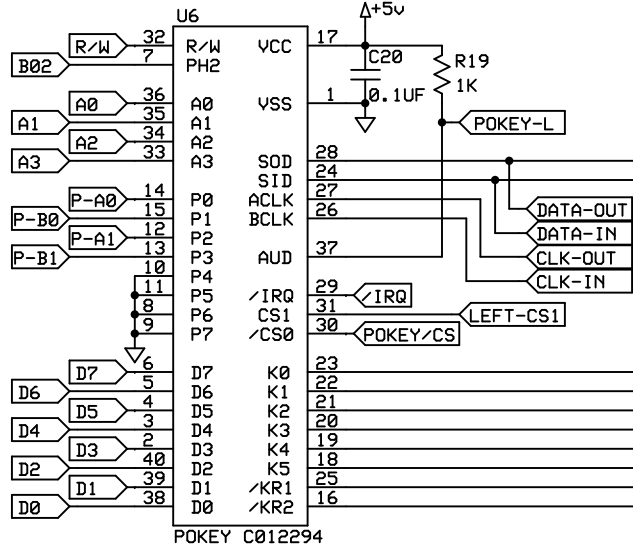
**V-GATE TIMING GENERATOR**



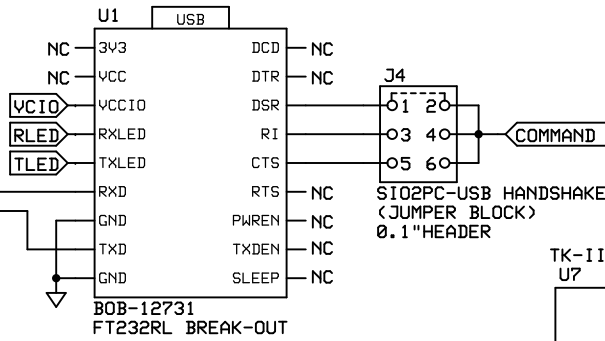
NTSC: X1=3.579545 Mhz  
 PAL: X1=3.546894 Mhz

<b>Mytek Controls</b>		
<b>1088 XEL Mini-ITX MOTHERBOARD</b>		
Michael St.Pierre	Rev 1.0 3/21/2017	VIDEO

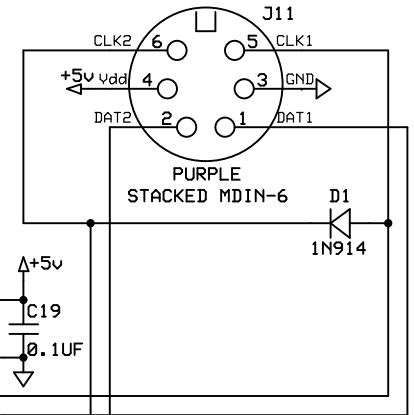
### LEFT CHANNEL POKEY



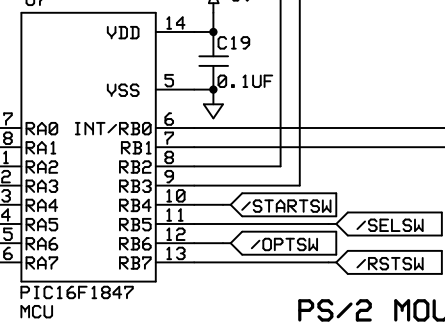
### SI02PC-USB



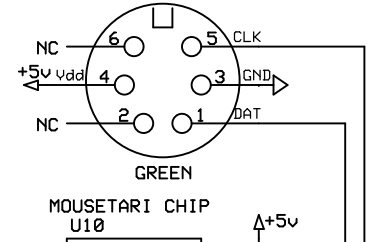
### PS/2 KEYBD



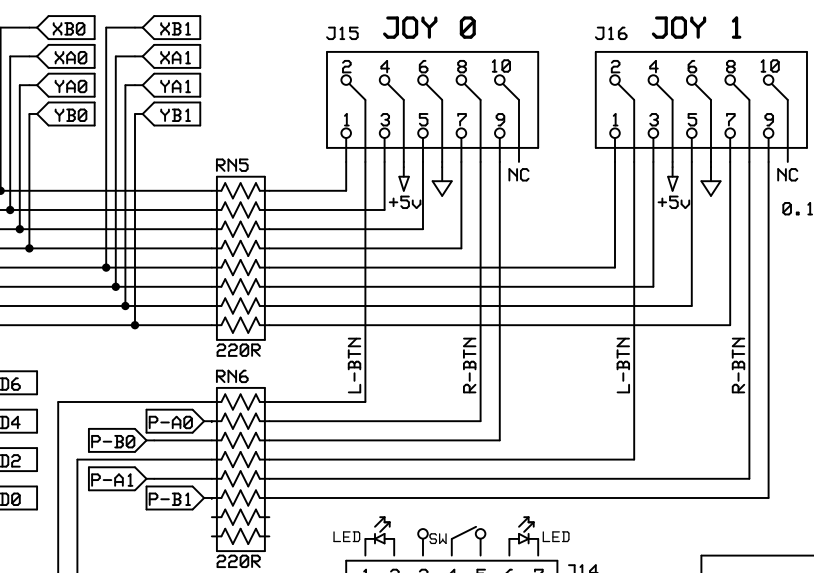
### TK-II KB CHIP



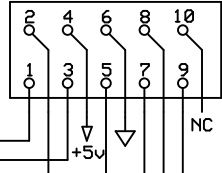
### PS/2 MOUSE



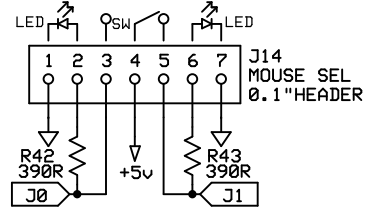
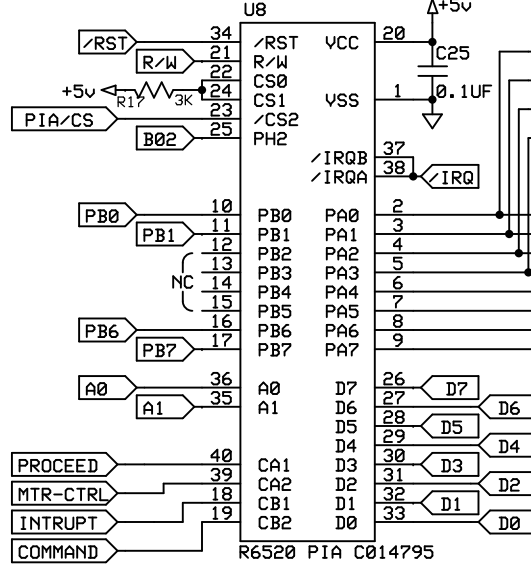
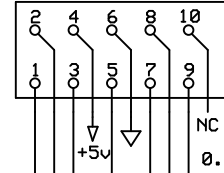
### MOUSE X/Y CONNECTIONS



### JOY 0

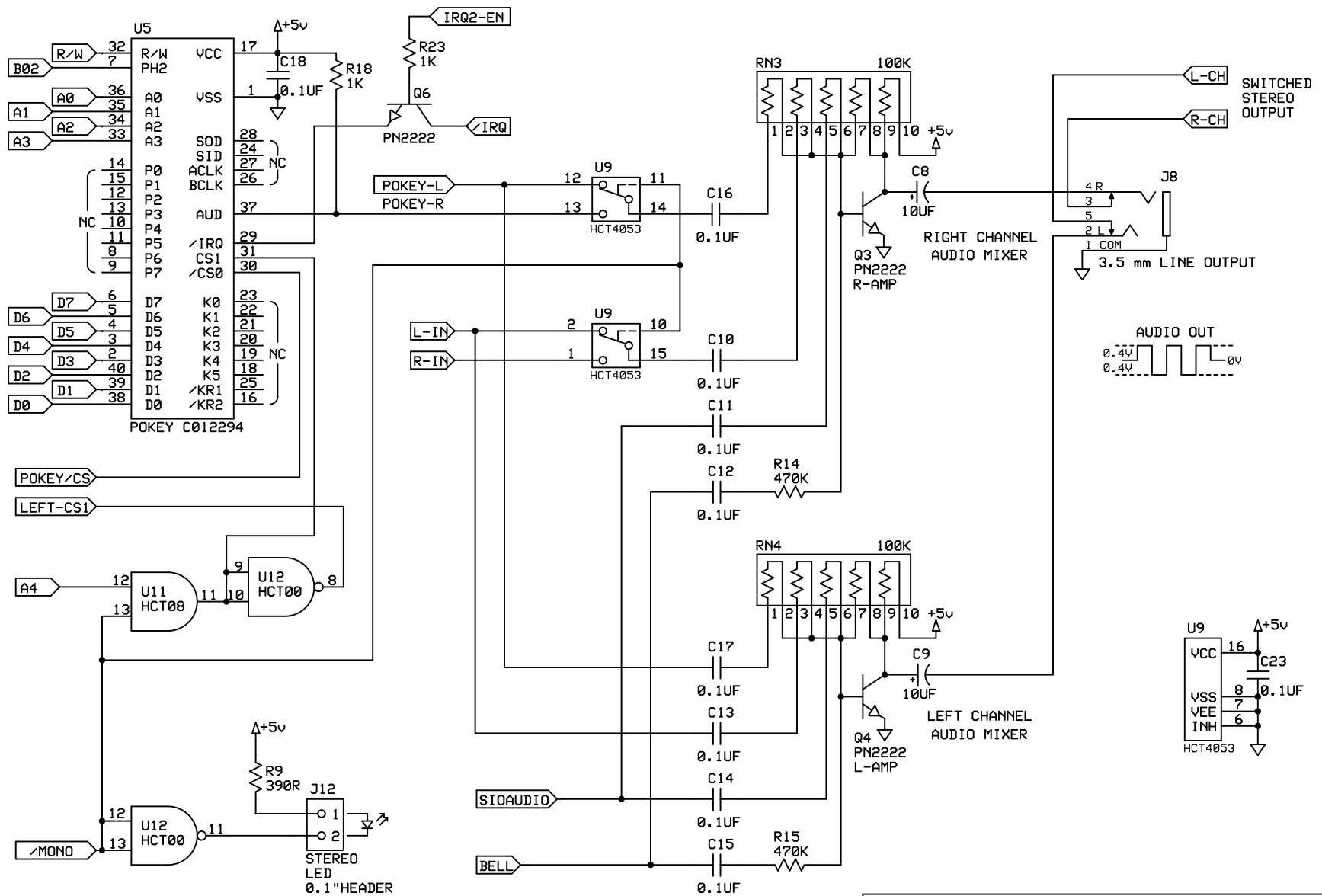


### JOY 1



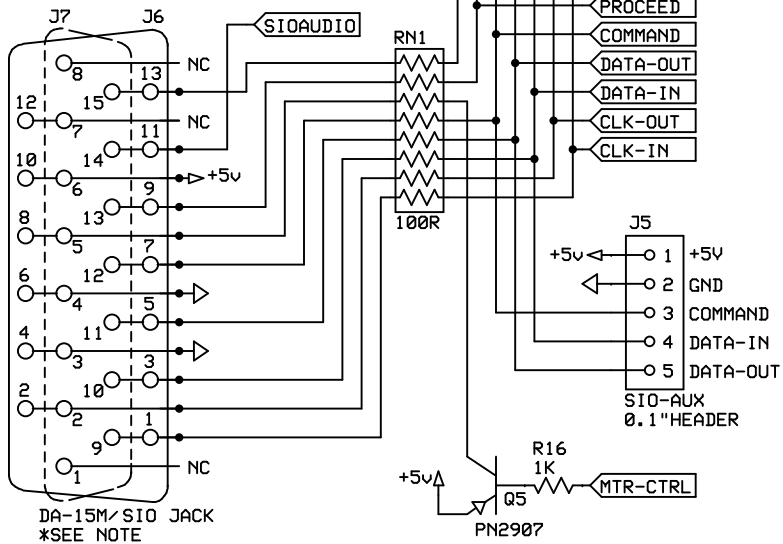
<b>Mytek Controls</b>		
<b>1088 XEL Mini-ITX MOTHERBOARD</b>		
Michael St.Pierre	Rev 1.0	I/O
	3/21/2017	

# RIGHT CHANNEL POKEY

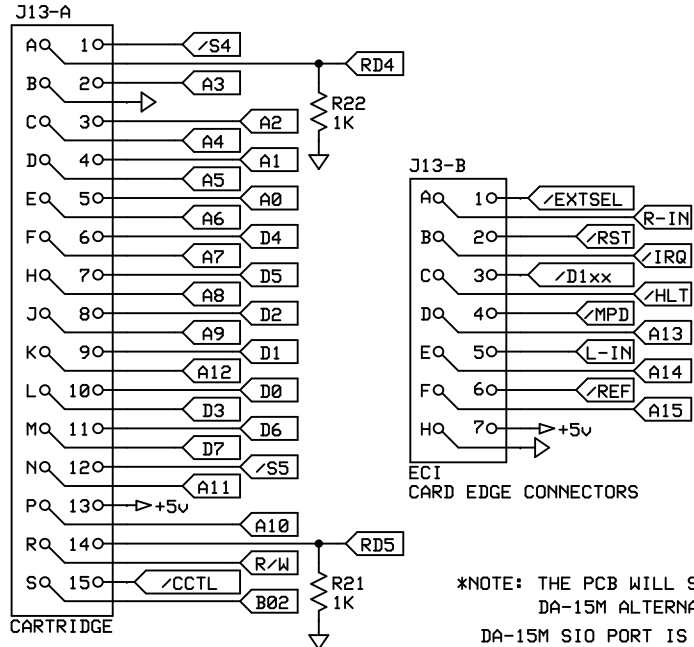


<b>Mytek Controls</b>		
<b>1088 XEL Mini-ITX MOTHERBOARD</b>		
Michael St.Pierre	Rev 1.0 3/21/2017	AUDIO

### SIO PORT

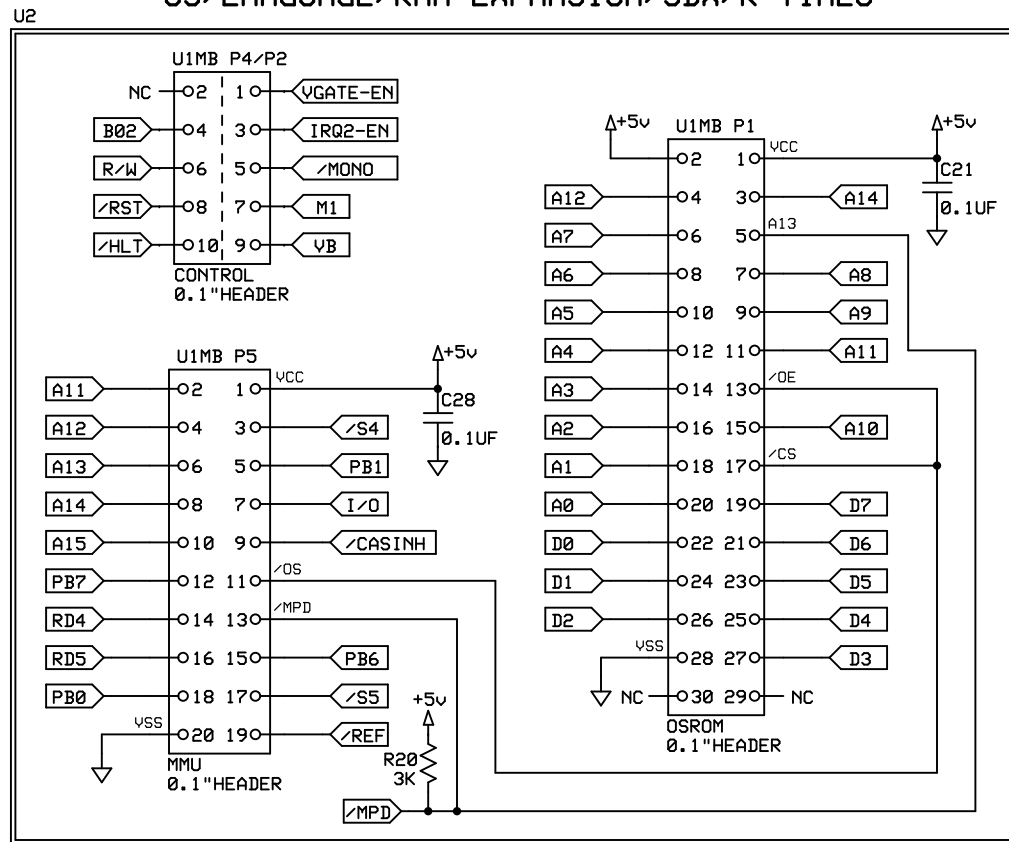


### CART/ECI



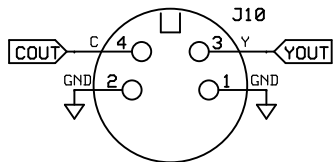
\*NOTE: THE PCB WILL SUPPORT BOTH THE ORIGINAL SIO JACK AND A DA-15M ALTERNATIVE, BUT NOT BOTH AT THE SAME TIME.  
DA-15M SIO PORT IS COMPATIBLE WITH SDRIVE PIN ASSIGNMENTS

### OS/LANGUAGE/RAM-EXPANSION/SDX/R-TIME8

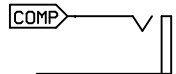


<b>Mytek Controls</b>		
<b>1088 XEL Mini-ITX MOTHERBOARD</b>		
Michael St.Pierre	Rev 1.0 3/21/2017	MISC CONN1

### STD VIDEO

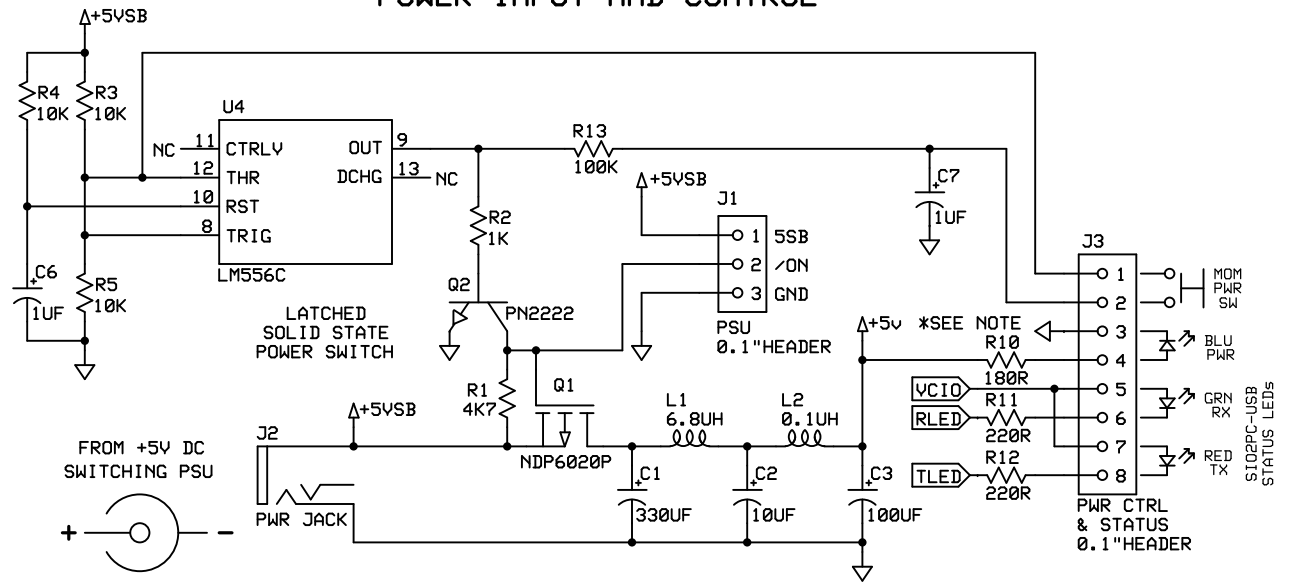


S-VIDEO M-DIN4  
STACKED VIDEO CONN

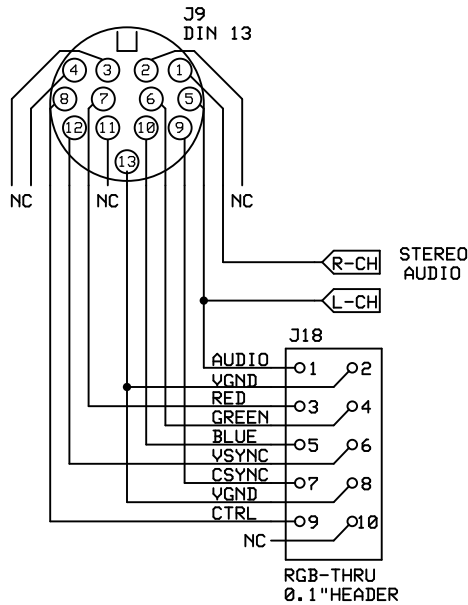


COMP-VIDEO RCA

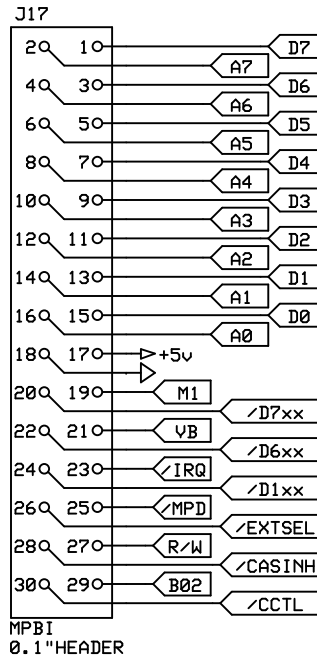
### POWER INPUT AND CONTROL



### RGB/YPbPr/VGA



### Mini-PBI



\*NOTE: BLUE LEDs HAVE A HIGHER FORWARD VOLTAGE THAN RED or GREEN LEDs AND REQUIRE A LOWER RESISTANCE (USE 390R FOR RED or GREEN)

<b>Mytek Controls</b>		
<b>1088 XEL Mini-ITX MOTHERBOARD</b>		
Michael St.Pierre	Rev 1.0 3/21/2017	MISC CONN2

